
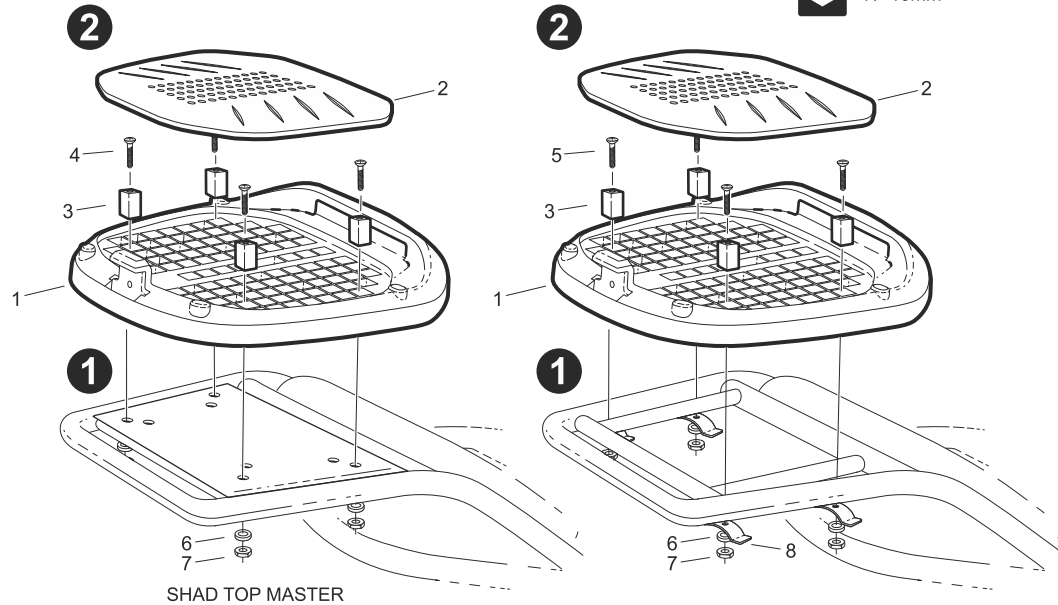


## TOP CASE SUPPORT ASSEMBLY

- 1** 201124 x1    **2** 201125 x1    **3** 200713/2 x4    **4** 304058 x4 M6x30 Din 965    **5** 304144 x4 M6x40 Din 965  
**6** 303000 x4 Ø6    **7** 302021 x4 M6    **8** 201049 x4

 PHILLIPS PH3

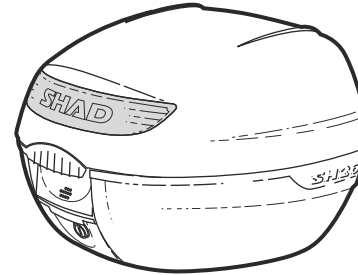
 N° 10mm



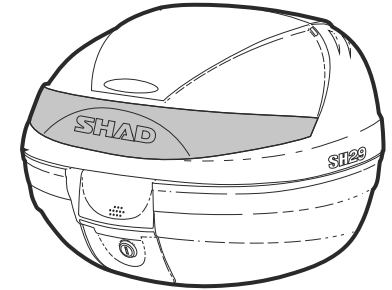
# SHAD

## USER GUIDE TOP CASES

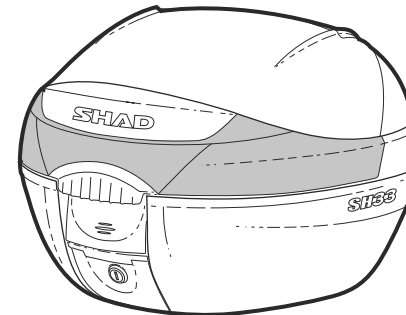
### SH26



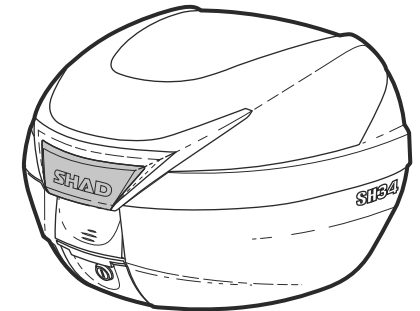
### SH29



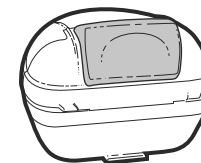
### SH33



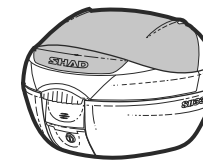
### SH34



## ACCESSORIES (OPTIONAL)



Backrest  
(Sh29, SH33, SH34)



Colour cover  
(Sh29, SH33, SH34)



Brake light  
Ref. D0B29KL

Find out about other products at

[WWW.SHAD.ES](http://WWW.SHAD.ES)

## CARE AND MAINTENANCE



1 M. MINIMUM DISTANCE WITH POWER WASHER.



MAXIMUM WEIGHT.



ALWAYS SECURE AND LOCK PRODUCTS.



CASES ARE NOT DESIGNED TO PROTECT FRAGILE OBJECTS.



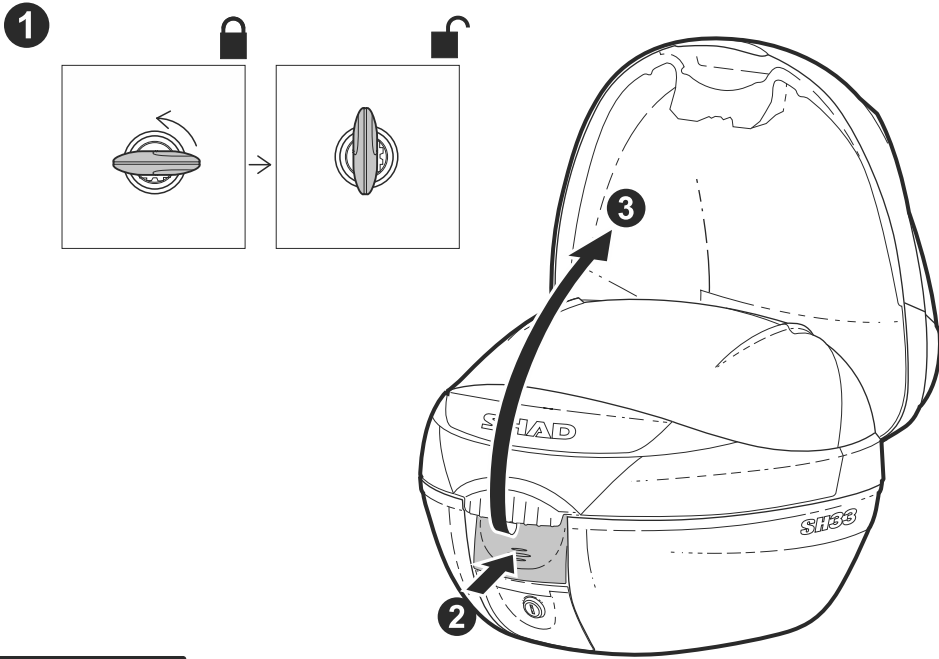
MAXIMUM SPEED, CHECK LOCAL LAWS.

**SHAD**  
[WWW.SHAD.ES](http://WWW.SHAD.ES)

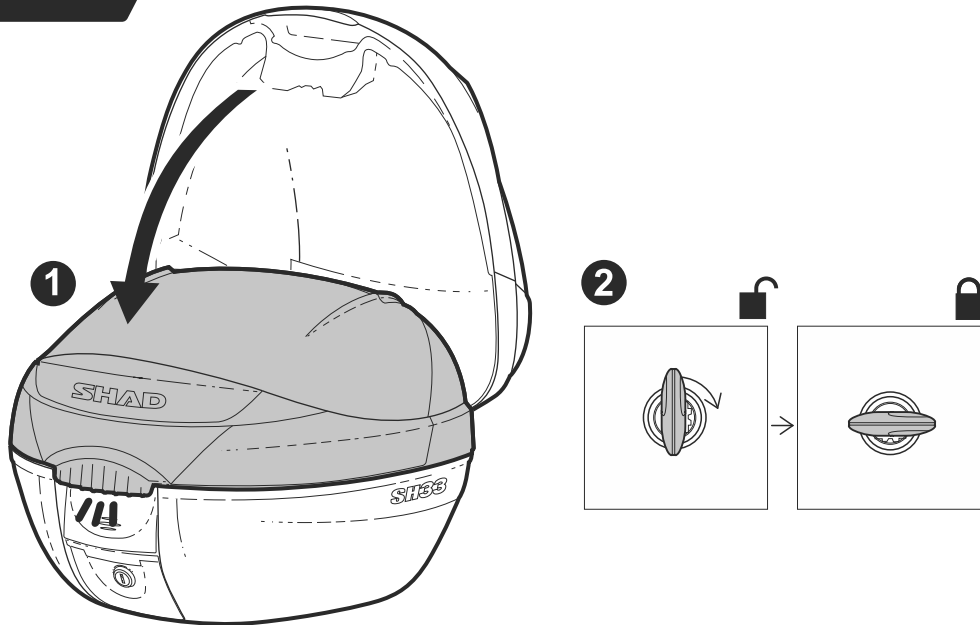
Octave Lecante, 2-6  
Pol. Ind. Can Magarda  
08100 MOLLET DEL VALLÈS  
BARCELONA (SPAIN)

Phone: 0034 935 795 860  
Fax: 0034 935 796 945  
info@shad.es

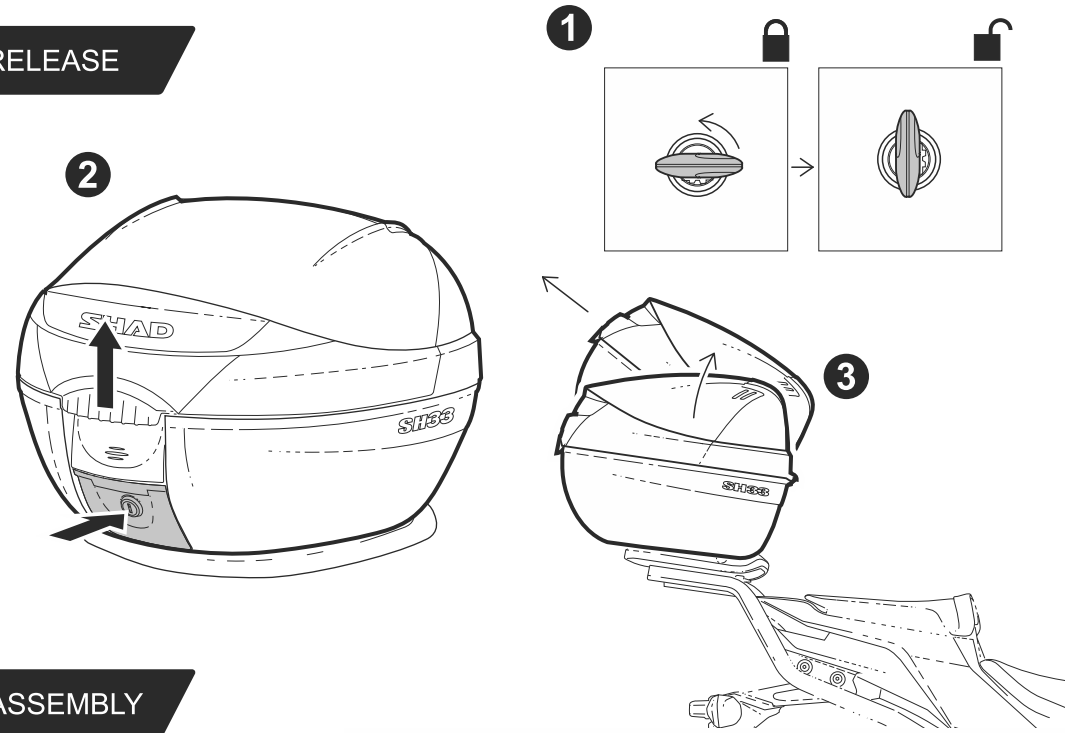
## OPEN



## CLOSE



## RELEASE



## ASSEMBLY

